

Kegelräder

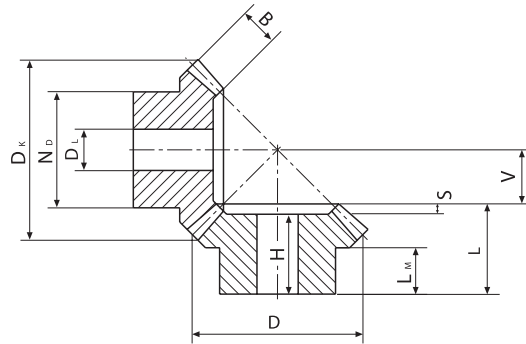
Kegelräder Typ A Übers. 1:1

Kegelräder Typ A Übers. 1:2

Kegelräder Typ A Übers. 1:3

Kegelräder Typ A Übers. 1:4

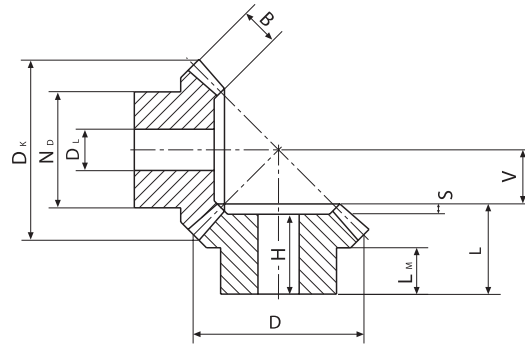
Sonderanfertigungen nach Zeichnung
sowie Standardteile einbaufertig
bearbeitet, auf Wunsch mit Wärme-
und/oder Oberflächenbehandlung



Kegelräder A 1:1

| G&G-Best.-Nr. | Modul | Zz | D _k | D | B | N _D | D _L | L | V | H | L _M | S |
|---------------|-------|----|----------------|------|------|----------------|----------------|------|-------|------|----------------|-----|
| 455-015-1016 | 1.5 | 16 | 26.10 | 24.0 | 6.0 | 20.3 | 8.0 | 18.9 | 7.10 | 16.9 | 12.0 | 2.0 |
| 455-015-1020 | 1.5 | 20 | 32.10 | 30.0 | 10.0 | 22.0 | 10.0 | 20.0 | 7.40 | 18.0 | 8.5 | 2.0 |
| 455-015-1022 | 1.5 | 22 | 35.10 | 33.0 | 10.0 | 25.0 | 10.0 | 20.0 | 10.20 | 18.0 | 9.7 | 2.0 |
| 455-015-1025 | 1.5 | 25 | 39.60 | 37.5 | 10.0 | 28.0 | 10.0 | 23.0 | 11.09 | 21.0 | 12.0 | 2.0 |
| 455-015-1030 | 1.5 | 30 | 47.10 | 45.0 | 12.0 | 30.0 | 12.0 | 25.0 | 13.35 | 22.5 | 12.0 | 2.5 |
| 455-020-1016 | 2 | 16 | 34.80 | 32.0 | 8.0 | 25.3 | 10.0 | 23.5 | 9.50 | 20.5 | 14.0 | 3.0 |
| 455-020-1020 | 2 | 20 | 42.80 | 40.0 | 12.0 | 32.0 | 10.0 | 25.0 | 10.78 | 22.0 | 12.0 | 3.0 |
| 455-020-1022 | 2 | 22 | 46.80 | 44.0 | 12.0 | 36.0 | 10.0 | 25.0 | 12.70 | 22.0 | 11.7 | 3.0 |
| 455-020-1025 | 2 | 25 | 52.80 | 50.0 | 14.0 | 40.0 | 12.0 | 28.0 | 14.28 | 25.0 | 12.3 | 3.0 |
| 455-020-1030 | 2 | 30 | 62.80 | 60.0 | 16.0 | 50.0 | 12.0 | 30.0 | 17.78 | 27.0 | 12.8 | 3.0 |
| 455-025-1016 | 2.5 | 16 | 43.50 | 40.0 | 10.0 | 30.3 | 12.0 | 28.1 | 11.90 | 25.1 | 15.0 | 3.5 |
| 455-025-1020 | 2.5 | 20 | 53.50 | 50.0 | 12.0 | 40.0 | 12.0 | 30.5 | 15.43 | 27.0 | 16.0 | 3.5 |
| 455-025-1022 | 2.5 | 22 | 58.50 | 55.0 | 12.0 | 45.0 | 12.0 | 30.5 | 17.80 | 27.0 | 15.9 | 3.5 |
| 455-025-1025 | 2.5 | 25 | 66.00 | 62.5 | 15.0 | 50.0 | 15.0 | 33.5 | 19.48 | 30.0 | 16.0 | 3.5 |
| 455-025-1030 | 2.5 | 30 | 78.50 | 75.0 | 18.0 | 55.0 | 15.0 | 35.5 | 23.63 | 32.0 | 16.0 | 3.5 |
| 455-030-1016 | 3 | 16 | 52.20 | 48.0 | 12.0 | 40.3 | 15.0 | 31.7 | 14.30 | 28.0 | 18.0 | 4.0 |
| 455-030-1020 | 3 | 20 | 64.20 | 60.0 | 18.0 | 45.0 | 15.0 | 35.0 | 16.00 | 31.0 | 13.6 | 4.0 |
| 455-030-1022 | 3 | 22 | 70.20 | 66.0 | 18.0 | 50.0 | 15.0 | 35.0 | 19.00 | 31.0 | 13.0 | 4.0 |
| 455-030-1025 | 3 | 25 | 79.20 | 75.0 | 20.0 | 55.0 | 15.0 | 38.0 | 22.00 | 34.0 | 16.0 | 4.0 |
| 455-030-1030 | 3 | 30 | 94.20 | 90.0 | 22.0 | 60.0 | 20.0 | 40.0 | 28.00 | 36.0 | 17.0 | 4.0 |

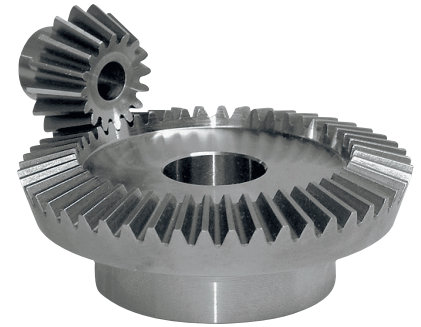
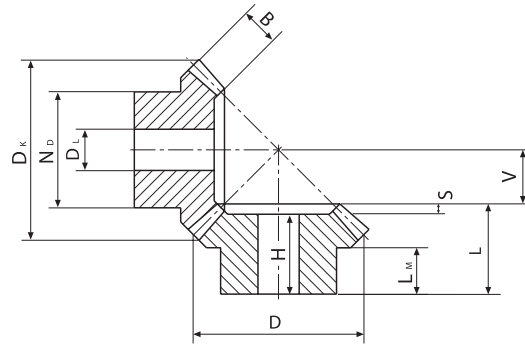
geradverzahnt
 20° Eingriffswinkel
 90° Achswinkel
 Material C45



Kegelräder A 1:1

| G&G-Best.-Nr. | Modul | Zz | D _k | D | B | N _D | D _L | L | V | H | L _M | S |
|---------------|-------|----|----------------|-------|------|----------------|----------------|------|-------|------|----------------|-----|
| 455-035-1016 | 3.5 | 16 | 60.90 | 56.0 | 14.0 | 45.3 | 15.0 | 36.4 | 16.60 | 32.0 | 20.0 | 4.5 |
| 455-035-1020 | 3.5 | 20 | 74.90 | 70.0 | 22.0 | 55.0 | 15.0 | 40.5 | 18.13 | 36.0 | 17.0 | 4.5 |
| 455-035-1022 | 3.5 | 22 | 81.90 | 77.0 | 22.0 | 60.0 | 15.0 | 40.5 | 21.50 | 36.0 | 18.0 | 4.5 |
| 455-035-1025 | 3.5 | 25 | 92.40 | 87.5 | 26.0 | 65.0 | 20.0 | 43.5 | 23.97 | 39.0 | 18.0 | 4.5 |
| 455-035-1030 | 3.5 | 30 | 109.90 | 105.0 | 30.0 | 70.0 | 20.0 | 48.0 | 30.02 | 43.5 | 19.0 | 4.5 |
| 455-040-1016 | 4 | 16 | 69.60 | 64.0 | 15.0 | 50.3 | 15.0 | 44.3 | 19.70 | 39.8 | 25.0 | 5.0 |
| 455-040-1020 | 4 | 20 | 85.60 | 80.0 | 25.0 | 60.0 | 18.0 | 43.0 | 20.74 | 38.0 | 18.0 | 5.0 |
| 455-040-1022 | 4 | 22 | 93.60 | 88.0 | 25.0 | 65.0 | 18.0 | 43.0 | 24.70 | 38.0 | 18.0 | 5.0 |
| 455-040-1025 | 4 | 25 | 105.60 | 100.0 | 28.0 | 70.0 | 20.0 | 45.0 | 28.50 | 40.0 | 18.0 | 5.0 |
| 455-040-1030 | 4 | 30 | 125.60 | 120.0 | 32.0 | 80.0 | 25.0 | 48.0 | 35.67 | 43.0 | 16.0 | 5.0 |
| 455-045-1016 | 4.5 | 16 | 78.30 | 72.0 | 18.0 | 55.3 | 18.0 | 46.3 | 21.70 | 41.3 | 25.0 | 6.0 |
| 455-045-1020 | 4.5 | 20 | 96.30 | 90.0 | 28.0 | 65.0 | 20.0 | 48.0 | 23.41 | 42.0 | 18.0 | 6.0 |
| 455-045-1022 | 4.5 | 22 | 105.30 | 99.0 | 28.0 | 70.0 | 20.0 | 48.0 | 27.80 | 42.0 | 18.0 | 6.0 |
| 455-045-1025 | 4.5 | 25 | 118.80 | 112.5 | 32.0 | 75.0 | 20.0 | 50.0 | 31.76 | 44.0 | 18.0 | 6.0 |
| 455-045-1030 | 4.5 | 30 | 141.30 | 135.0 | 35.0 | 90.0 | 25.0 | 53.0 | 40.82 | 47.0 | 17.0 | 6.0 |
| 455-050-1016 | 5 | 16 | 87.00 | 80.0 | 18.0 | 60.3 | 20.0 | 48.9 | 25.10 | 42.9 | 25.0 | 6.5 |
| 455-050-1020 | 5 | 20 | 107.10 | 100.0 | 30.0 | 70.0 | 20.0 | 50.5 | 26.86 | 44.0 | 18.5 | 6.5 |
| 455-050-1022 | 5 | 22 | 117.10 | 110.0 | 30.0 | 80.0 | 20.0 | 50.5 | 31.70 | 44.0 | 18.5 | 6.5 |
| 455-050-1025 | 5 | 25 | 132.10 | 125.0 | 34.0 | 90.0 | 20.0 | 53.5 | 36.36 | 47.0 | 18.0 | 6.5 |
| 455-050-1030 | 5 | 30 | 157.10 | 150.0 | 38.0 | 110.0 | 30.0 | 56.5 | 45.97 | 50.0 | 18.0 | 6.5 |

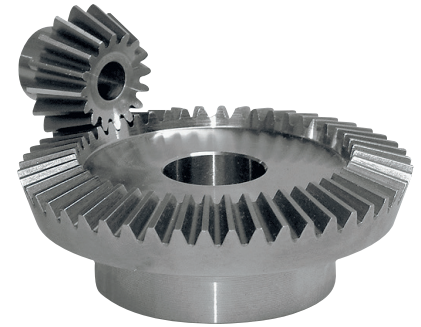
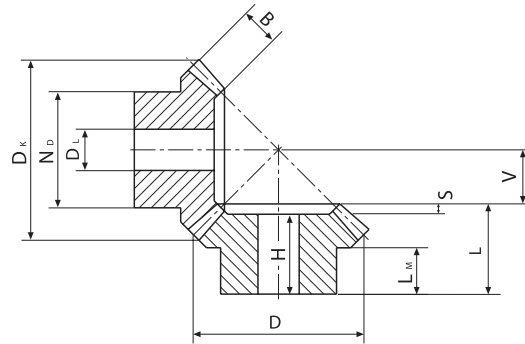
geradverzahnt
 20° Eingriffswinkel
 90° Achswinkel
 Material C45



Kegeelrader A 1:2

| G&G-Best.-Nr. | Modul | Zz | D _k | D | B | N _D | D _L | L | V | H | L _M | S |
|---------------|-------|----|----------------|-------|------|----------------|----------------|------|-------|------|----------------|------|
| 455-015-1632 | 1.5 | 16 | 26.70 | 24.0 | 8.0 | 21.0 | 10.0 | 19.5 | 16.33 | 18.0 | 11.3 | 1.5 |
| | 1.5 | 32 | 49.30 | 48.0 | 8.0 | 32.0 | 12.0 | 20.0 | 7.45 | 17.0 | 10.0 | 3.0 |
| 455-020-1632 | 2 | 16 | 35.60 | 32.0 | 10.0 | 26.0 | 10.0 | 23.0 | 22.41 | 21.0 | 12.2 | 2.0 |
| | 2 | 32 | 65.80 | 64.0 | 10.0 | 40.0 | 12.0 | 25.0 | 10.21 | 21.0 | 10.0 | 4.0 |
| 455-025-1632 | 2.5 | 16 | 44.40 | 40.0 | 12.0 | 34.0 | 12.0 | 27.5 | 28.38 | 25.0 | 14.4 | 2.5 |
| | 2.5 | 32 | 82.20 | 80.0 | 12.0 | 50.0 | 15.0 | 25.0 | 14.10 | 20.0 | 10.0 | 5.0 |
| 455-030-1632 | 3 | 16 | 53.40 | 48.0 | 15.0 | 40.0 | 15.0 | 28.0 | 33.64 | 25.0 | 11.6 | 3.0 |
| | 3 | 32 | 98.70 | 96.0 | 15.0 | 60.0 | 15.0 | 30.0 | 15.31 | 24.0 | 10.0 | 6.0 |
| 455-035-1632 | 3.5 | 16 | 62.30 | 56.0 | 18.0 | 48.0 | 15.0 | 33.5 | 38.83 | 30.0 | 14.4 | 3.5 |
| | 3.5 | 32 | 115.10 | 112.0 | 18.0 | 70.0 | 20.0 | 31.0 | 17.77 | 24.0 | 10.0 | 7.0 |
| 455-040-1632 | 4 | 16 | 71.10 | 64.0 | 20.0 | 50.0 | 20.0 | 36.0 | 44.81 | 32.0 | 13.4 | 4.0 |
| | 4 | 32 | 131.60 | 128.0 | 20.0 | 80.0 | 20.0 | 32.0 | 20.42 | 24.0 | 10.0 | 8.0 |
| 455-045-1632 | 4.5 | 16 | 80.10 | 72.0 | 22.0 | 60.0 | 20.0 | 39.5 | 51.00 | 35.0 | 15.4 | 4.5 |
| | 4.5 | 32 | 148.00 | 144.0 | 22.0 | 90.0 | 25.0 | 36.0 | 23.21 | 27.0 | 10.0 | 9.0 |
| 455-050-1632 | 5 | 16 | 88.90 | 80.0 | 25.0 | 60.0 | 20.0 | 50.0 | 56.06 | 45.0 | 21.1 | 5.0 |
| | 5 | 32 | 164.50 | 160.0 | 25.0 | 100.0 | 25.0 | 38.0 | 25.52 | 28.0 | 10.0 | 10.0 |

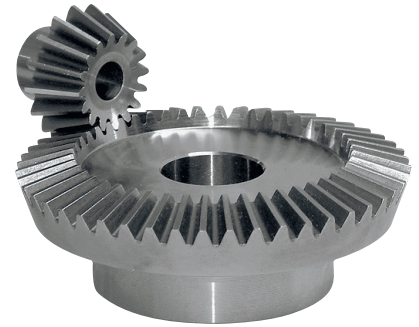
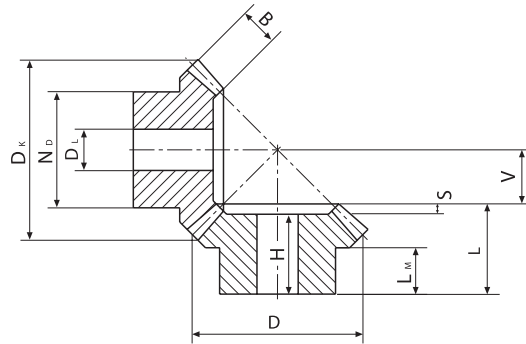
geradverzahnt
 20° Eingriffswinkel
 90° Achswinkel
 Material C45



Kegelräder A 1:3

| G&G-Best.-Nr. | Modul | Zz | D _k | D | B | N _D | D _L | L | V | H | L _M | S |
|---------------|-------|----|----------------|-------|------|----------------|----------------|------|-------|------|----------------|------|
| | 1.5 | 16 | 26.90 | 24.0 | 12.0 | 20.0 | 10.0 | 24.0 | 22.44 | 23.0 | 11.7 | 1.0 |
| 455-015-1648 | 1.5 | 48 | 72.90 | 72.0 | 12.0 | 50.0 | 15.0 | 20.0 | 7.27 | 17.0 | 10.0 | 3.0 |
| | 2 | 16 | 35.80 | 32.0 | 15.0 | 26.0 | 12.0 | 28.5 | 33.26 | 27.0 | 12.4 | 1.5 |
| 455-020-1648 | 2 | 48 | 97.30 | 96.0 | 15.0 | 60.0 | 15.0 | 23.0 | 9.90 | 19.0 | 10.0 | 4.0 |
| | 2.5 | 16 | 44.70 | 40.0 | 18.0 | 32.0 | 12.0 | 32.0 | 42.41 | 30.0 | 13.0 | 2.0 |
| 455-025-1648 | 2.5 | 48 | 121.60 | 120.0 | 18.0 | 70.0 | 20.0 | 26.0 | 13.23 | 21.0 | 10.0 | 5.0 |
| | 3 | 16 | 53.70 | 48.0 | 18.0 | 40.0 | 15.0 | 32.0 | 54.25 | 30.0 | 12.1 | 2.0 |
| 455-030-1648 | 3 | 48 | 145.90 | 144.0 | 18.0 | 80.0 | 20.0 | 29.0 | 16.20 | 23.0 | 10.0 | 6.0 |
| | 3.5 | 16 | 62.60 | 56.0 | 22.0 | 48.0 | 15.0 | 38.0 | 62.29 | 35.5 | 15.0 | 2.5 |
| 455-035-1648 | 3.5 | 48 | 170.20 | 168.0 | 22.0 | 90.0 | 20.0 | 31.0 | 18.48 | 24.0 | 10.0 | 7.0 |
| | 4 | 16 | 71.60 | 64.0 | 25.0 | 55.0 | 20.0 | 41.5 | 71.23 | 38.5 | 15.2 | 3.0 |
| 455-040-1648 | 4 | 48 | 194.50 | 192.0 | 25.0 | 100.0 | 22.0 | 33.0 | 21.20 | 25.0 | 10.0 | 8.0 |
| | 4.5 | 16 | 80.60 | 72.0 | 28.0 | 60.0 | 20.0 | 53.0 | 80.27 | 50.0 | 23.4 | 3.0 |
| 455-045-1648 | 4.5 | 48 | 218.60 | 216.0 | 28.0 | 100.0 | 25.0 | 49.0 | 23.93 | 40.0 | 18.0 | 9.0 |
| | 5 | 16 | 89.50 | 80.0 | 35.0 | 60.0 | 20.0 | 60.0 | 85.61 | 57.0 | 22.5 | 3.0 |
| 455-050-1648 | 5 | 48 | 243.10 | 240.0 | 35.0 | 150.0 | 28.0 | 50.0 | 25.45 | 40.0 | 20.0 | 10.0 |

geradverzahnt
 20° Eingriffswinkel
 90° Achswinkel
 Material C45



Kegelräder A 1:4

| G&G-Best.-Nr. | Modul | Zz | D _k | D | B | N _D | D _L | L | V | H | L _M | S |
|---------------|-------|----|----------------|-------|------|----------------|----------------|------|--------|------|----------------|------|
| | 1.5 | 16 | 26.90 | 24.0 | 12.0 | 18.0 | 10.0 | 25.0 | 36.02 | 24.0 | 12.2 | 1.0 |
| 455-015-1664 | 1.5 | 64 | 96.70 | 96.0 | 12.0 | 70.0 | 15.0 | 22.0 | 8.53 | 19.0 | 10.0 | 3.0 |
| | 2 | 16 | 35.90 | 32.0 | 15.0 | 25.0 | 12.0 | 24.0 | 49.07 | 23.0 | 8.2 | 1.0 |
| 455-020-1664 | 2 | 64 | 129.00 | 128.0 | 15.0 | 80.0 | 20.0 | 24.0 | 11.79 | 20.0 | 10.0 | 4.0 |
| | 2.5 | 16 | 44.90 | 40.0 | 18.0 | 30.0 | 15.0 | 30.5 | 61.99 | 26.0 | 8.2 | 1.5 |
| 455-025-1664 | 2.5 | 64 | 161.20 | 160.0 | 18.0 | 90.0 | 20.0 | 29.0 | 13.77 | 24.0 | 10.0 | 5.0 |
| | 3 | 16 | 53.80 | 48.0 | 22.0 | 40.0 | 15.0 | 34.0 | 74.05 | 32.0 | 11.0 | 2.0 |
| 455-030-1664 | 3 | 64 | 193.50 | 192.0 | 22.0 | 100.0 | 20.0 | 30.0 | 16.41 | 24.0 | 10.0 | 6.0 |
| | 3.5 | 16 | 62.80 | 56.0 | 25.0 | 48.0 | 15.0 | 45.0 | 87.13 | 43.0 | 19.1 | 2.0 |
| 455-035-1664 | 3.5 | 64 | 225.70 | 224.0 | 25.0 | 100.0 | 25.0 | 50.0 | 19.32 | 43.0 | 22.0 | 7.0 |
| | 4 | 16 | 71.70 | 64.0 | 30.0 | 50.0 | 20.0 | 50.0 | 98.21 | 48.0 | 18.5 | 2.0 |
| 455-040-1664 | 4 | 64 | 257.90 | 256.0 | 30.0 | 120.0 | 28.0 | 50.0 | 21.72 | 42.0 | 20.0 | 8.0 |
| | 4.5 | 16 | 80.70 | 72.0 | 32.0 | 55.0 | 20.0 | 53.0 | 112.08 | 50.5 | 19.0 | 2.5 |
| 455-045-1664 | 4.5 | 64 | 290.10 | 288.0 | 32.0 | 130.0 | 30.0 | 53.0 | 24.83 | 44.0 | 23.0 | 9.0 |
| | 5 | 16 | 89.70 | 80.0 | 35.0 | 60.0 | 20.0 | 58.0 | 125.06 | 55.5 | 20.6 | 2.5 |
| 455-050-1664 | 5 | 64 | 322.40 | 320.0 | 35.0 | 150.0 | 30.0 | 58.0 | 27.65 | 48.0 | 25.0 | 10.0 |

geradverzahnt
 20° Eingriffswinkel
 90° Achswinkel
 Material C45